

The *Elite* Light Industrial Series



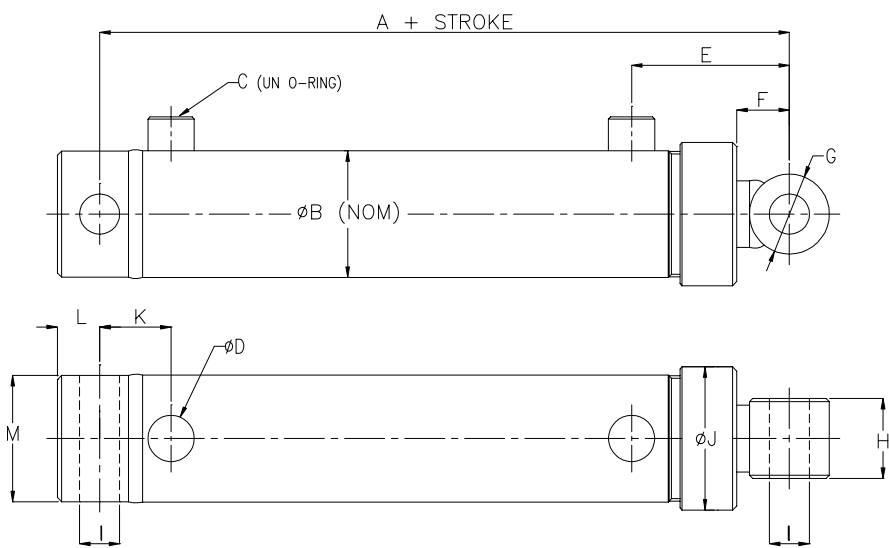
Installation Guide							Order Code: LI							
BORE	ROD DIA.	A	B	C	D	E	F	G	H	I	J	K	L	M
1 1/2"	7/8"	145	48	9/16"	22	75	39	32	38	5/8"	50	34	14	48
2"	1 1/4"	150	60	9/16"	22	80	34	38	38	3/4"	68	34	20	60

This rugged, quality constructed hydraulic cylinder ensures fitment into situations where a short closed length cylinder is important.

The 1 1/2" bore cylinders have standard stroke lengths of 4,6,8,10 & 12 inches.

The 2" bore cylinders have standard stroke lengths of 4,6,8,10,12,14,16,18 & 20 inches.

Non-standard strokes can be manufactured upon request.



Ezy-Fit Hydraulics
 19 Acrylon Road, Salisbury South SA 5106
 Telephone: (08) 8281 0955 Facsimile: (08) 8281 1698
<http://www.ezyfit.com.au> email: info@ezyfit.com.au